

# Product datasheet

Specifications



circuit breaker EasyPact  
CVS100B, 25 kA at 415 VAC, 50 A  
rating thermal magnetic TM-D trip  
unit, 3P 3d

LV510304

## Main

Range	EasyPact
Range Of Product	EasyPact CVS100...250
Product Name	EasyPact CVS
Device Short Name	CVS100B
Product Or Component Type	Circuit breaker
Device Application	Distribution
Poles Description	3P
Protected Poles Description	3D
Earth Leakage Protection (Vigi Add On)	Without
[In] Rated Current	50 A at 40 °C
Network Type	AC
Utilisation Category	Category A
[Icu] Breaking Capacity	40 kA Icu at 220/240 V AC 50/60 Hz conforming to IEC 60947-2 25 kA Icu at 380/415 V AC 50/60 Hz conforming to IEC 60947-2 20 kA Icu at 440 V AC 50/60 Hz conforming to IEC 60947-2
Trip Unit Name	TM-D
Trip Unit Technology	Thermal-magnetic
Trip Unit Rating	50 A at 40 °C
Protection Type	Overload protection (thermal) Short-circuit protection (magnetic)

## Complementary

[Uimp] Rated Impulse Withstand Voltage	8 kV conforming to EN/IEC 60947-2
Network Frequency	50/60 Hz
Breaking Capacity Code	B
[Ics] Rated Service Breaking Capacity	15 kA at 440 V AC 50/60 Hz conforming to IEC 60947-2 25 kA at 380/415 V AC 50/60 Hz conforming to IEC 60947-2 40 kA at 220/240 V AC 50/60 Hz conforming to IEC 60947-2
Mechanical Durability	30000 cycles
Electrical Durability	12000 cycles 415 V In conforming to IEC 60947-2
Control Type	Toggle
Thermal Protection Adjustment Range	35...50 A
Long Time Pick-Up Adjustment Type Ir	Adjustable

<b>Long Time Pick-Up Adjustment Range</b>	0.7...1 x In
<b>Long Time Delay Adjustment Type</b>	Fixed
<b>Instantaneous Pick-Up Adjustment Type II</b>	Fixed
<b>Instantaneous Pick-Up Adjustment Range</b>	500 A
<b>Contact Position Indicator</b>	Yes
<b>Mounting Support</b>	Backplate
<b>Mounting Mode</b>	Fixed
<b>Upside Connection</b>	Front
<b>Downside Connection</b>	Front
<b>Connections - Terminals</b>	Screw connection
<b>Connection Pitch</b>	35 mm
<b>Compatibility Code</b>	CVS100
<b>Width</b>	105 mm
<b>Depth</b>	86 mm
<b>Height</b>	161 mm
<b>Net Weight</b>	1.5 kg

## Environment

<b>Standards</b>	EN 60947-2 IEC 60947-2
<b>Product Certifications</b>	GOST IEC
<b>Electrical Shock Protection Class</b>	Class II
<b>Pollution Degree</b>	3 conforming to IEC 60664-1
<b>IP Degree Of Protection</b>	IP40
<b>Ambient Air Temperature For Operation</b>	-25...70 °C
<b>Ambient Air Temperature For Storage</b>	-50...85 °C

## Packing Units

<b>Unit Type Of Package 1</b>	PCE
<b>Number Of Units In Package 1</b>	1
<b>Package 1 Height</b>	11.000 cm
<b>Package 1 Width</b>	13.500 cm
<b>Package 1 Length</b>	19.000 cm
<b>Package 1 Weight</b>	1.660 kg
<b>Unit Type Of Package 2</b>	S03
<b>Number Of Units In Package 2</b>	8
<b>Package 2 Height</b>	30.000 cm
<b>Package 2 Width</b>	30.000 cm
<b>Package 2 Length</b>	40.000 cm
<b>Package 2 Weight</b>	13.700 kg

<b>Unit Type Of Package 3</b>	P12
<b>Number Of Units In Package 3</b>	64
<b>Package 3 Height</b>	45.000 cm
<b>Package 3 Width</b>	80.000 cm
<b>Package 3 Length</b>	120.000 cm
<b>Package 3 Weight</b>	121.600 kg

## Sustainability

**Green Premium™ label** is Schneider Electric's commitment to delivering products with best-in-class environmental performance. Green Premium promises compliance with the latest regulations, transparency on environmental impacts, as well as circular and low-CO<sub>2</sub> products.

**Guide to assessing product sustainability** is a white paper that clarifies global eco-label standards and how to interpret environmental declarations.

[Learn more about Green Premium >](#)

[Guide to assess a product's sustainability >](#)



Transparency RoHS/REACH

## Well-being performance

Mercury Free

Rohs Exemption Information Yes

## Certifications & Standards

Reach Regulation [REACH Declaration](#)

Eu Rohs Directive Compliant with Exemptions

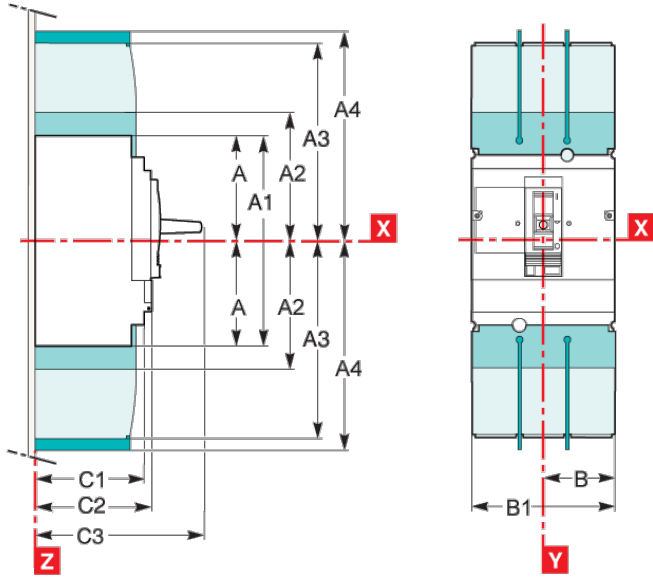
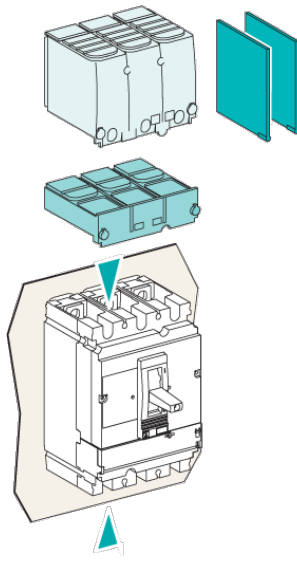
China Rohs Regulation [China RoHS declaration](#)  
Product out of China RoHS scope. Substance declaration for your information

Environmental Disclosure [Product Environmental Profile](#)

Weee The product must be disposed on European Union markets following specific waste collection and never end up in rubbish bins

Circularity Profile No need of specific recycling operations

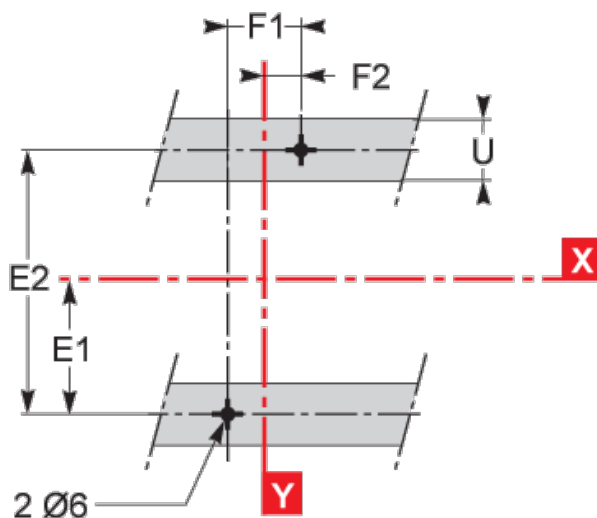
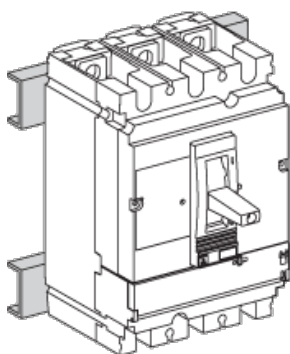
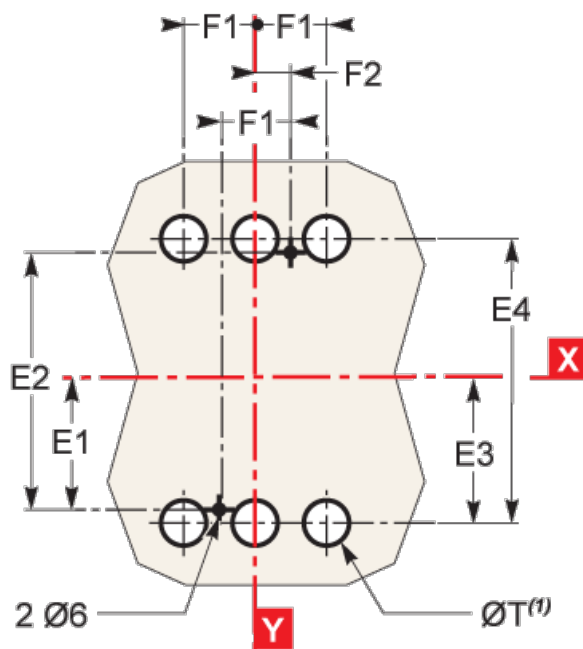
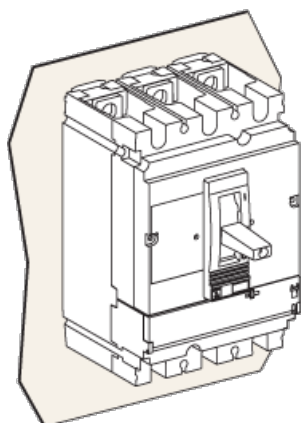
Dimensions Drawings



Type	A	A1	A2	A3	A4	A5	A6	A7	A8	A9	B	B1	B2	C1	C2	C3	E1
CWS100H60/250	80.5	161	64	146	170.5	155.5	236	169	226	353.5	52.5	165	140	81	86	111 <sup>Ø</sup>	62.5
CWS400/630	127.5	255	142.5	200	237	227.5	355	242.5	300	337	70	140	186	95.5	110	169	100
Type	E2	E3	E4	E5	E6	E7	E8	F1	F2	F3	G1	G2	G3	G4	G5	ØT	U
CWS100H60/250	125	70	140	137.5	200	145	215	35	17.5	70	85	75	18.5	23	17.5	24	y32
CWS400/630	200	113.5	227	200	300	213.5	327	45	22.5	80	-	-	-	-	32	y35	

Ø T3-126mm for EasyPost CWS250MF

Assembly



Type	A	A1	A2	A3	A4	A5	A6	A7	A8	A9	B	B1	B2	C1	C2	C3	E1
CWS100/160/250	80.5	161	64	140	170.5	155.5	226	109	220	253.5	52.5	105	140	81	86	111 <sup>(1)</sup>	82.5
CWS400/630	127.5	255	142.5	200	287	277.5	355	242.5	300	337	70	140	185	95.5	110	168	100
Type	E2	E3	E4	E5	E6	E7	E8	F1	F2	F3	G1	G2	G3	G4	G5	ØT	U
CWS100/160/250	125	70	140	137.5	200	145	215	95	17.5	70	55	75	13.5	33	17.5	34	y32
CWS400/630	200	113.5	227	200	300	213.5	327	45	22.5	90	-	-	-	-	32	y35	

<sup>(1)</sup> C3-126mm for EasyRest CWS2500/F.

Performance Curves

