

Product datasheet

Specifications



circuit breaker EasyPact
CVS630F, 36 kA at 415 VAC, 500
A rating thermal magnetic TM-D
trip unit, 4P 3d

LV563308

Main

| | |
|--|--|
| Range | EasyPact |
| Range Of Product | EasyPact CVS400...630 |
| Product Name | EasyPact CVS |
| Device Short Name | CVS630F |
| Product Or Component Type | Circuit breaker |
| Device Application | Distribution |
| Poles Description | 4P |
| Protected Poles Description | 3D |
| Earth Leakage Protection (Vigi Add On) | Without |
| [In] Rated Current | 500 A at 40 °C |
| Network Type | AC |
| Utilisation Category | Category A |
| [Icu] Breaking Capacity | 40 kA Icu at 220/240 V AC 50/60 Hz conforming to IEC 60947-2 36 kA Icu at 380/415 V AC 50/60 Hz conforming to IEC 60947-2 30 kA Icu at 440 V AC 50/60 Hz conforming to IEC 60947-2 |
| Trip Unit Name | TM-D |
| Trip Unit Technology | Thermal-magnetic |
| Trip Unit Rating | 500 A at 40 °C |
| Protection Type | Short-circuit protection (magnetic) Overload protection (thermal) |

Complementary

| | |
|--|--|
| [Uimp] Rated Impulse Withstand Voltage | 8 kV conforming to EN/IEC 60947-2 |
| Network Frequency | 50/60 Hz |
| Breaking Capacity Code | F |
| [Ics] Rated Service Breaking Capacity | 40 kA at 220/240 V AC 50/60 Hz conforming to IEC 60947-2 36 kA at 380/415 V AC 50/60 Hz conforming to IEC 60947-2 23 kA at 440 V AC 50/60 Hz conforming to IEC 60947-2 |
| Neutral Position | Left |
| Mechanical Durability | 15000 cycles |
| Electrical Durability | 4000 cycles 415 V In conforming to IEC 60947-2 |
| Control Type | Toggle |
| Thermal Protection Adjustment Range | 350...500 A |

| | |
|--|--------------------------|
| Neutral Protection Setting | No protection (3D) |
| Long Time Pick-Up Adjustment Type I_r | Adjustable |
| Long Time Pick-Up Adjustment Range | 0.7...1 x I _n |
| Long Time Delay Adjustment Type | Fixed |
| Instantaneous Pick-Up Adjustment Type I_i | Adjustable |
| Instantaneous Pick-Up Adjustment Range | 5...10 x I _n |
| Contact Position Indicator | Yes |
| Mounting Support | Backplate |
| Mounting Mode | Fixed |
| Upside Connection | Front |
| Downside Connection | Front |
| Connections - Terminals | Screw connection |
| Connection Pitch | 45 mm |
| Compatibility Code | CVS630 |
| Width | 185 mm |
| Depth | 110 mm |
| Height | 255 mm |
| Net Weight | 7.1 kg |

Environment

| | |
|--|-----------------------------|
| Standards | IEC 60947-2 EN 60947-2 |
| Product Certifications | IEC GOST |
| Electrical Shock Protection Class | Class II |
| Pollution Degree | 3 conforming to IEC 60664-1 |
| IP Degree Of Protection | IP40 |
| Ambient Air Temperature For Operation | -25...70 °C |
| Ambient Air Temperature For Storage | -50...85 °C |

Packing Units

| | |
|-------------------------------------|----------|
| Unit Type Of Package 1 | PCE |
| Number Of Units In Package 1 | 1 |
| Package 1 Height | 24.4 cm |
| Package 1 Width | 21.0 cm |
| Package 1 Length | 30.0 cm |
| Package 1 Weight | 8.039 kg |
| Unit Type Of Package 2 | S03 |
| Number Of Units In Package 2 | 2 |
| Package 2 Height | 30 cm |
| Package 2 Width | 30 cm |

| | |
|-------------------------|-----------|
| Package 2 Length | 40 cm |
| Package 2 Weight | 16.078 kg |

Sustainability

Green Premium™ label is Schneider Electric's commitment to delivering products with best-in-class environmental performance. Green Premium promises compliance with the latest regulations, transparency on environmental impacts, as well as circular and low-CO₂ products.

Guide to assessing product sustainability is a white paper that clarifies global eco-label standards and how to interpret environmental declarations.

[Learn more about Green Premium >](#)

[Guide to assess a product's sustainability >](#)



Transparency RoHS/REACH

Well-being performance

Mercury Free

Rohs Exemption Information Yes

Pvc Free

Certifications & Standards

Reach Regulation [REACH Declaration](#)

Eu Rohs Directive Compliant with Exemptions

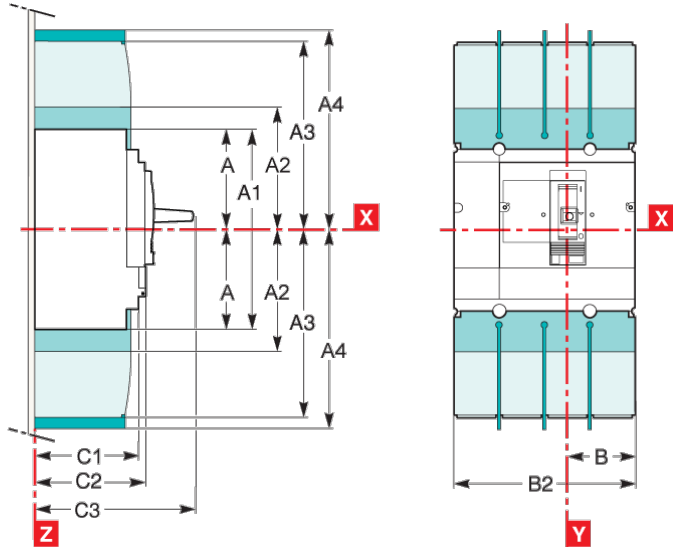
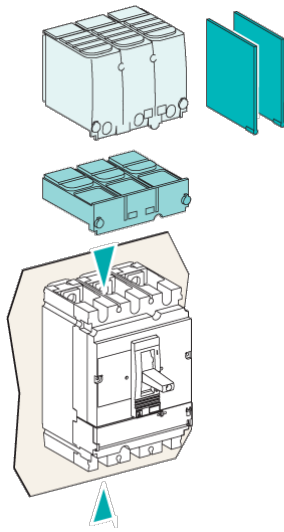
China Rohs Regulation [China RoHS declaration](#)
Product out of China RoHS scope. Substance declaration for your information

Environmental Disclosure [Product Environmental Profile](#)

Weee The product must be disposed on European Union markets following specific waste collection and never end up in rubbish bins

Circularity Profile [End of Life Information](#)

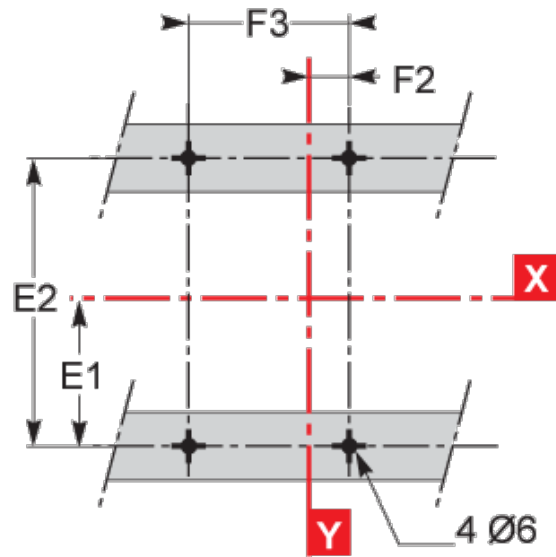
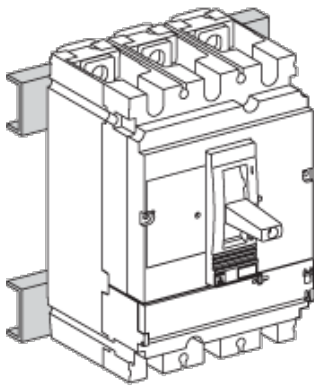
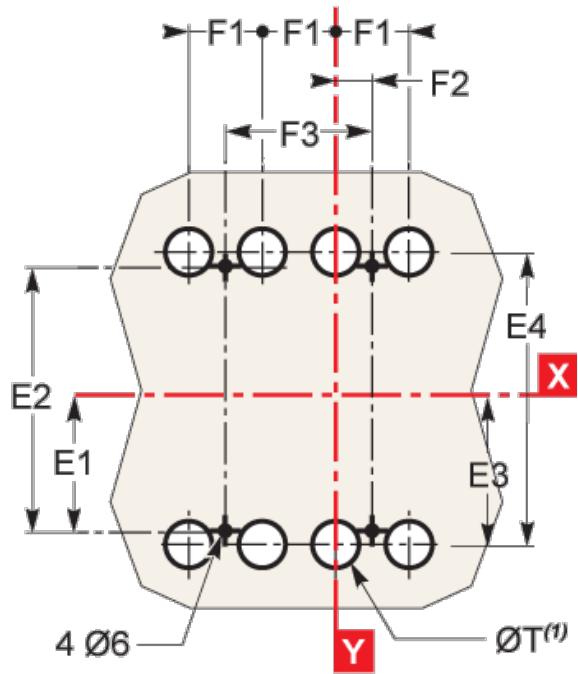
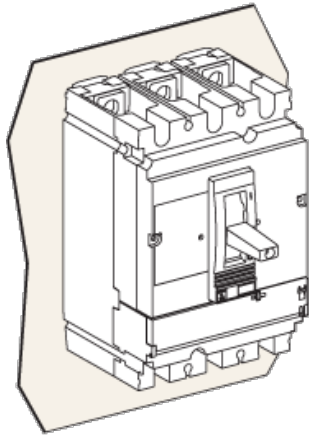
Dimensions Drawings



| Type | A | A1 | A2 | A3 | A4 | A5 | A6 | A7 | A8 | A9 | B | B1 | B2 | C1 | C2 | C3 | E1 |
|---------------|-------|-------|-------|-------|-------|-------|-----|-------|------|-------|------|-----|------|------|------|--------------------|------|
| CMS100H60/250 | 80.5 | 161 | 64 | 140 | 170.5 | 155.5 | 236 | 109 | 220 | 350.5 | 52.5 | 105 | 140 | 81 | 86 | 111 ^(*) | 62.5 |
| CMS400/630 | 127.5 | 255 | 142.5 | 300 | 287 | 227.5 | 355 | 242.5 | 300 | 387 | 70 | 140 | 185 | 95.5 | 110 | 168 | 100 |
| Type | E2 | E3 | E4 | E5 | E6 | E7 | E8 | F1 | F2 | F3 | G1 | G2 | G3 | G4 | G5 | ØT | U |
| CMS100H60/250 | 125 | 70 | 140 | 137.5 | 200 | 145 | 215 | 30 | 17.0 | 70 | 85 | 72 | 13.5 | 23 | 17.0 | 24 | y32 |
| CMS400/630 | 200 | 113.5 | 227 | 200 | 300 | 213.5 | 327 | 45 | 22.5 | 80 | - | - | - | - | - | 32 | y35 |

^(*) C3=126mm for EasyPost CMS250LF.

Assembly



| Type | A | A1 | A2 | A3 | A4 | A5 | A6 | A7 | A8 | A9 | B | B1 | B2 | C1 | C2 | C3 | E1 |
|---------------|-------|-------|-------|-------|-------|-------|-----|-------|------|-------|------|-----|------|------|------|--------------------|------|
| CVS100H60/250 | 60.5 | 161 | 64 | 140 | 170.5 | 165.5 | 236 | 109 | 220 | 353.5 | 52.5 | 105 | 140 | 81 | 66 | 111 ⁽ⁿ⁾ | 62.5 |
| CVS400/630 | 127.5 | 265 | 142.5 | 200 | 287 | 227.5 | 355 | 242.5 | 300 | 357 | 70 | 140 | 186 | 95.5 | 110 | 169 | 100 |
| Type | E2 | E3 | E4 | E5 | E6 | E7 | E8 | F1 | F2 | F3 | G1 | G2 | G3 | G4 | G5 | ØT | U |
| CVS100H60/250 | 125 | 70 | 140 | 137.5 | 200 | 145 | 216 | 95 | 17.5 | 70 | 85 | 78 | 13.5 | 33 | 17.5 | 34 | y32 |
| CVS400/630 | 200 | 113.5 | 227 | 200 | 300 | 213.5 | 327 | 45 | 22.5 | 80 | - | - | - | - | - | 32 | y35 |

⁽ⁿ⁾ C3-126mm for EasyPact CVS2500F.

Performance Curves

