

# Product data sheet

Specifications



power meter PowerLogic PM5110,  
modbus, up to 15th Harmonic,  
1DO 33 alarms

METSEPM5110

Product availability: Stock - Normally stocked in distribution facility

**Price\*: 1,269.56 USD**

## Main

Range	PowerLogic
Product Name	PowerLogic PM5000
Device Short Name	PM5110
Product Or Component Type	Power meter

## Complementary

Power Quality Analysis	up to the 15th harmonic
Device Application	Power monitoring
Type Of Measurement	Current Voltage Frequency Power factor Energy Active and reactive power
Supply Voltage	90...450 V AC 45...65 Hz 100...300 V DC
Network Frequency	50 Hz 60 Hz
Line Rated Current	1 A 5 A
Type Of Network	1P + N 3P + N 3P
Maximum Power Consumption In Va	11 VA 415 V
Ride-Through Time	80 ms 120 V AC typical 100 ms 230 V AC typical 100 ms 415 V AC typical 50 ms 125 V DC typical
Display Type	Monochrome graphic LCD
Display Resolution	128 x 128 pixels
Sampling Rate	64 samples/cycle
Measurement Current	50...8500 mA
Analogue Input Type	Voltage (impedance 5 MOhm) Current (impedance <= 0.3 mOhm)
Measurement Voltage	35...760 V AC 45...65 Hz between phases 20...440 V AC 45...65 Hz between phase and neutral
Frequency Measurement Range	45...65 Hz

Price is "List Price" and may be subject to a trade discount – check with your local distributor or retailer for actual price.

<b>Number Of Inputs</b>	0
<b>Measurement Accuracy</b>	Active energy +/- 0.5 % Reactive energy +/- 2 % Active power +/- 0.5 % Apparent power +/- 0.5 % Frequency +/- 0.05 % Power factor +/- 0.5 Current +/- 0.5 % Voltage +/- 0.5 % Apparent energy +/- 0.5 % Reactive power +/- 2 %
<b>Accuracy Class</b>	Class 0.5S active energy IEC 62053-22
<b>Number Of Outputs</b>	1 digital
<b>Communication Port Protocol</b>	Modbus RTU and ASCII 9.6, 19.2 and 38.4 kbauds even/odd or none - 2 wires 2500 V JBUS
<b>Communication Port Support</b>	RS485
<b>Data Recording</b>	Time stamping Min/max of instantaneous values
<b>Connections - Terminals</b>	Voltage circuit screw terminal block4 Control circuit screw terminal block2 Current transformer screw terminal block6 Input/output circuit screw terminal block6 RS485 link screw terminal block4
<b>Mounting Mode</b>	Flush-mounted
<b>Mounting Support</b>	Framework
<b>Standards</b>	UL 61010-1 EN 50470-3 EN 50470-1 IEC 62053-22:2020 IEC 60529 IEC 62053-24 IEC 61557-12:2015 IEC 62053-23:2020 IEC 62052-11:2020 IEC 62052-31:2015
<b>Product Certifications</b>	CE conforming to IEC 61010-1 CULus conforming to UL 61010-1
<b>Width</b>	3.78 in (96 mm)
<b>Depth</b>	2.83 in (72 mm)
<b>Height</b>	3.78 in (96 mm)
<b>Net Weight</b>	13.40 oz (380 g)

## Environment

<b>Electromagnetic Compatibility</b>	Voltage dips and interruptions immunity test class A conforming to IEC 61000-4-11 Limits for harmonic current emissions class A conforming to IEC 61000-3-2 Electrostatic discharge level 4 conforming to IEC 61000-4-2 Conducted RF disturbances level 3 conforming to IEC 61000-4-6 Magnetic field at power frequency level 4 conforming to IEC 61000-4-8 Conducted and radiated emissions - test level: 150 kHz...80 MHz class B conforming to EN 55022 Immunity to conducted disturbances - test level: 150 kHz...80 MHz conforming to IEC 61000-4-6 Electrical fast transient/burst immunity test conforming to IEC 61000-4-4 Radiated radio-frequency electromagnetic field immunity test conforming to IEC 61000-4-3 Surge immunity test class B conforming to IEC 61000-4-5 Voltage dips and interruptions immunity test conforming to IEC 61000-4-11
<b>IP Degree Of Protection</b>	IP54 display: conforming to IEC 60529 IP30 rear: conforming to IEC 60529
<b>Relative Humidity</b>	5...95 % 122 °F (50 °C) non-condensing

Pollution Degree	2
Ambient Air Temperature For Operation	-13...158 °F (-25...70 °C) meter -4...158 °F (-20...70 °C) display -13...-4 °F (-25...-20 °C) with reduced performance) display
Ambient Air Temperature For Storage	-40...185 °F (-40...85 °C)
Operating Altitude	6561.68 ft (2000 m) CAT III

## Ordering and shipping details

Category	US10PL109777
Discount Schedule	0PL1
Gtin	3606480613982
Returnability	Yes
Country Of Origin	US

## Packing Units

Unit Type Of Package 1	PCE
Number Of Units In Package 1	1
Package 1 Height	4.51 in (11.467 cm)
Package 1 Width	5.11 in (12.979 cm)
Package 1 Length	4.94 in (12.544 cm)
Package 1 Weight	15.84 oz (449.0 g)
Unit Type Of Package 2	S03
Number Of Units In Package 2	12
Package 2 Height	11.81 in (30.0 cm)
Package 2 Width	11.81 in (30.0 cm)
Package 2 Length	15.75 in (40.0 cm)
Package 2 Weight	15.85 lb(US) (7.19 kg)
Unit Type Of Package 3	P12
Number Of Units In Package 3	288
Package 3 Height	41.34 in (105.0 cm)
Package 3 Width	31.50 in (80.0 cm)
Package 3 Length	47.24 in (120.0 cm)
Package 3 Weight	455.03 lb(US) (206.4 kg)

## Sustainability

**Green Premium™ label** is Schneider Electric's commitment to delivering products with best-in-class environmental performance. Green Premium promises compliance with the latest regulations, transparency on environmental impacts, as well as circular and low-CO<sub>2</sub> products.

**Guide to assessing product sustainability** is a white paper that clarifies global eco-label standards and how to interpret environmental declarations.

[Learn more about Green Premium >](#)

[Guide to assess a product's sustainability >](#)



Transparency RoHS/REACH

## Well-being performance

 Mercury Free

 RoHS Exemption Information Yes

## Certifications & Standards

**Reach Regulation** [REACH Declaration](#)

**Eu RoHS Directive** Compliant with Exemptions

**China RoHS Regulation** [China RoHS declaration](#)

**Environmental Disclosure** [Product Environmental Profile](#)

**Weee** The product must be disposed on European Union markets following specific waste collection and never end up in rubbish bins.

**Circularity Profile** [End of Life Information](#)

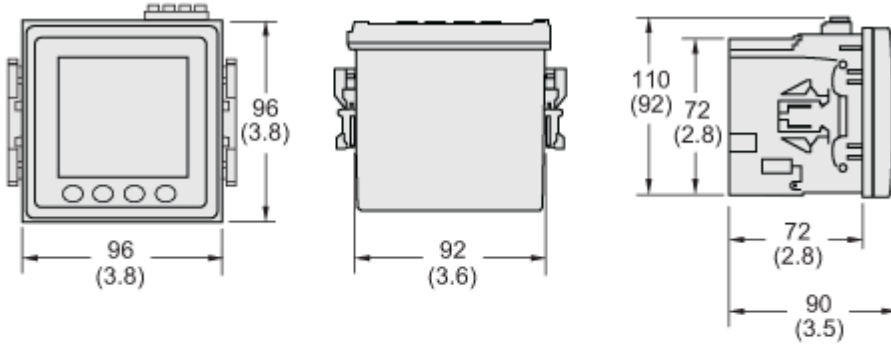
**California Proposition 65** WARNING: Cancer and Reproductive Harm - [www.P65Warnings.ca.gov](http://www.P65Warnings.ca.gov)

Dimensions Drawings

Approximate Dimensions

---

PM5000 Series Meters



PM5000 Series Remote Display

